

# D-A72/A73/A80 SNÍMAČ POLOHY JAZÝČKOVÝ - KOLMO K OSE - montáž na lištu, vodiče 3 m

Kód produktu: 74265



Grommet  
Electrical entry  
Perpendicular

## Reed Switch/Rail Mounting D-A72/D-A73/D-A80

Applicable Actuator Series

Series	Core size (mm)
CD2J, CDVJ	ø10, ø16
CD2Z	ø12, ø16, ø20, ø25, ø32, ø40, ø50, ø63, ø80, ø100, ø125, ø140, ø160
CD2W	Flange mounted ø10, ø16, ø20, ø25, ø32; Housing mounted ø16, ø20, ø25, ø32
CDY18, CYSL	ø6, ø10, ø18, ø25, ø32, ø40
RS2Q	ø16, ø20, ø32, ø40, ø50
MDU	ø25, ø32, ø40, ø50, ø63
CE1	ø12, ø25, ø32, ø40, ø50, ø63
MR, MK2	ø25, ø32, ø40, ø50, ø63
CXT	ø32, ø40

### Specifications

PLC: Programmable Logic Controller

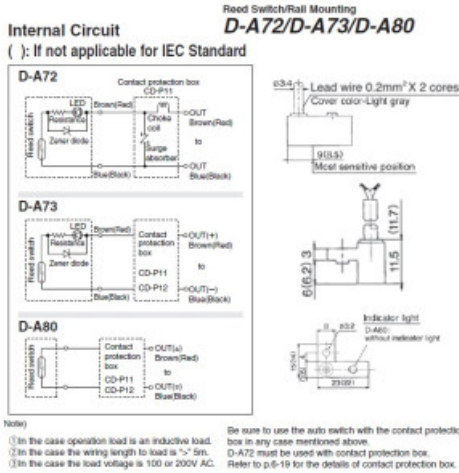
D-A7 (With indicator light)		D-A73	
Auto switch model number	D-A72	D-A73	
Application	Relay/PLC	Relay/PLC	
Load voltage	200V AC	24V DC	100V AC
Load current range	5 to 10mA	5 to 40mA	5 to 20mA
Contact protection circuit	None		
Internal voltage drop	± 2.4V		
Indicator light	ON: When red light emitting diode		

### D-A8 (Without indicator light)

D-A80	
Auto switch model number	Relay/PLC
Application	Relay/PLC
Load voltage	24V DC or less
Max. load current	40mA
Max. load current	40mA
Contact protection circuit	None
Internal impedance	17 Ω or less (including 3m lead wire)

● Load wire—Use proof ring heavy insulator cable, ø1.4, 3-core (1 core brown, blue, 1 core black).  
Note 1: Refer to additional specifications of the p.14.  
Note 2: Refer to the p.14 for lead wire length.





Reed Switch/Rail Mounting  
**D-A72/D-A73/D-A80**

**Applicable Actuator Series**

Series	Bore size (mm)
CDJ2, CDVJ	ø10, ø16
CDQ2	ø12, ø16, ø20, ø25, ø32, ø40, ø50, ø63, ø80, ø100, ø125, ø140, ø160
CDXW	Plate mounted ø10, ø16, ø20, ø25, ø32. Housing mounted ø16, ø20, ø25, ø32
CDY1S, CY1L	ø6, ø10, ø15, ø20, ø25, ø32, ø40
RSDQ	ø16, ø20, ø32, ø40, ø50
MDU	ø25, ø32, ø40, ø50, ø63
CE1	ø12, ø20, ø32, ø40, ø50, ø63
MK, MK2	ø20, ø25, ø32, ø40, ø50, ø63
CXT	ø32, ø40

**Operation Range ( r Dimension) (mm)**

Actuator series	Bore size															
	6	10	12	15	16	20	25	32	40	50	63	80	100	125	140	160
CDJ2, CDVJ	8	9	—	—	—	—	—	—	—	—	—	—	—	—	—	—
CDQ2	—	10	12	12	12	12	11	10	12	12	13	13	13	13	13	13
CDXW	B	—	—	6	6	6	6	—	—	—	—	—	—	—	—	—
	P	6	—	6	6	6	6	—	—	—	—	—	—	—	—	—
CDY1S	6	6	6	6	6	6	6	—	—	—	—	—	—	—	—	—
CY1L	6	6	6	6	6	6	6	—	—	—	—	—	—	—	—	—
RSDQ	—	—	—	—	12	12	12	11	10	—	—	—	—	—	—	—
MDU	—	—	—	—	13	13	13	13	13	—	—	—	—	—	—	—
CE1	—	10	—	—	12	12	11	10	12	—	—	—	—	—	—	—
MK, MK2	—	—	—	—	12	12	12	11	10	12	—	—	—	—	—	—
CXT	—	—	—	—	—	—	12	11	—	—	—	—	—	—	—	—

Note: Average value at normal temperature including hysteresis. (Tolerance = 30%)

- Výrobce: **SMC**
- Materiál produktu: **Plast, mosaz**
- Norma výrobku: **REACH, RoHS**

## Varianty zboží

Objednáací kód

Napětí

Série

Hmotnost

Délka

Mj

Vaše cena bez DPH

Sklad

SMC-D-A72

U:(AC<200V, LED)

50mA

0,01 kg

0,5 m

ks

**691,20 Kč**

Lanškroun: 0Pardubice: 0Zlín: 0Praha - Zličín: 0Praha - Letňany: 0Ostrava: 0

SMC-D-A72L

U:(AC<200V, LED)

50mA

0,047 kg

3 m

ks

**777,90 Kč**

Lanškroun: 0Pardubice: 0Zlín: 0Praha - Zličín: 0Praha - Letňany: 0Ostrava: 0

SMC-D-A73

U:(DC<24/AC<100V, LED)

50mA

0,01 kg

0,5 m

ks

**691,20 Kč**

Lanškroun: 0Pardubice: 0Zlín: 0Praha - Zličín: 0Praha - Letňany: 0Ostrava: 0

SMC-D-A73L

U:(DC<24/AC<100V, LED)

50mA

0,047 kg

3 m

ks

**777,90 Kč**

Lanškroun: 0Pardubice: 0Zlín: 0Praha - Zličín: 0Praha - Letňany: 0Ostrava: 0

SMC-D-A73Z

U:(DC<24/AC<100V, LED)

50mA

0,238 kg

5 m

ks

**862,90 Kč**

Lanškroun: 0Pardubice: 0Zlín: 0Praha - Zličín: 0Praha - Letňany: 0Ostrava: 0

SMC-D-A80  
(DC<48, AC<100V)

50mA

0,01 kg

0,5 m

ks

**691,20 Kč**

Lanškroun: 0Pardubice: 0Zlín: 0Praha - Zličín: 0Praha - Letňany: 0Ostrava: 0

SMC-D-A80L

(DC<48, AC<100V)

50mA

0,047 kg

3 m

ks

**777,90 Kč**

Lanškroun: 0Pardubice: 0Zlín: 0Praha - Zličín: 0Praha - Letňany: 0Ostrava: 0